

NOMADPAK

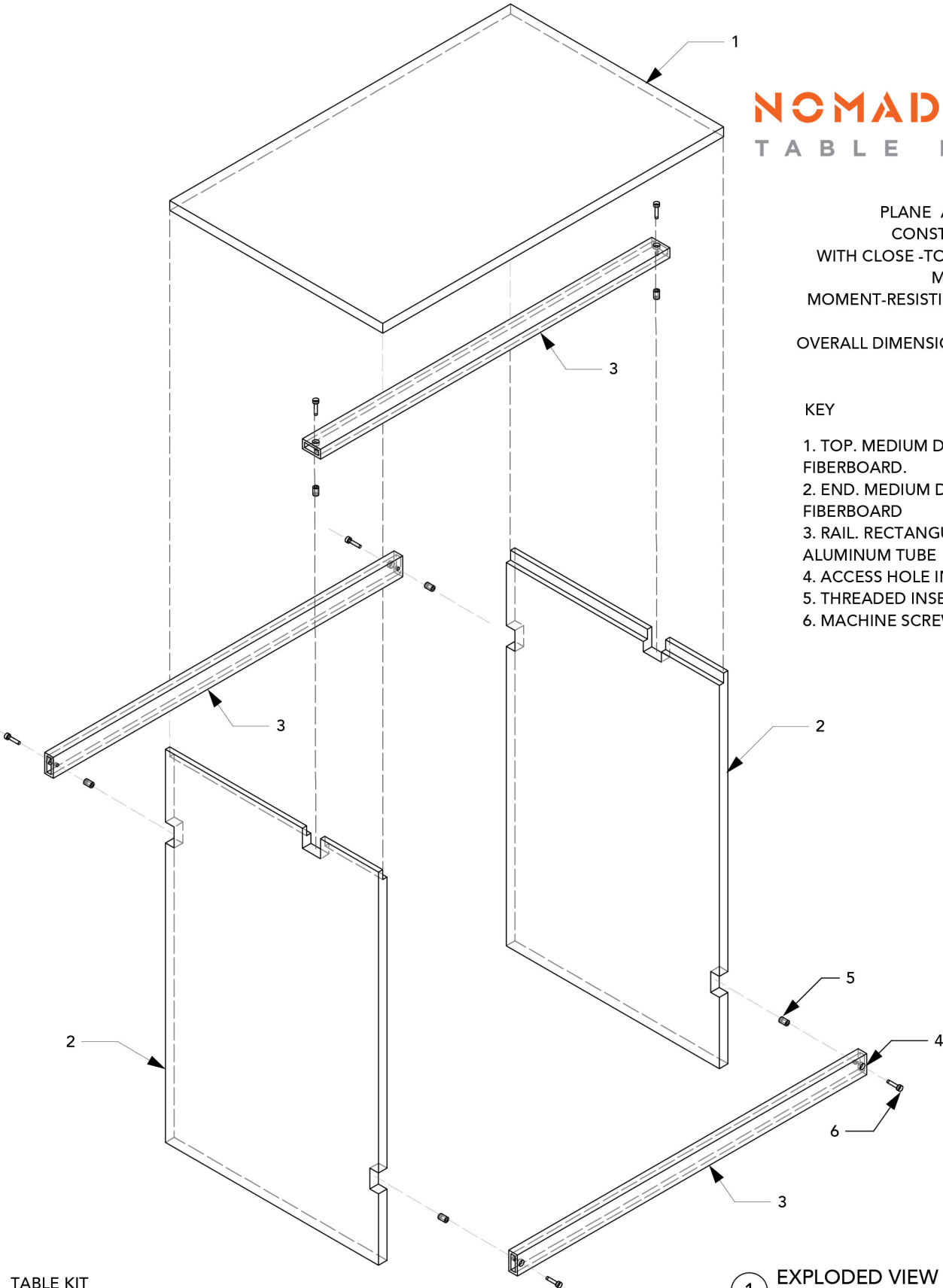
TABLE KITS ©

PLANE AND RAIL
CONSTRUCTION
WITH CLOSE-TOLERANCE
MACHINED
MOMENT-RESISTING JOINT

OVERALL DIMENSIONS VARY

KEY

1. TOP. MEDIUM DENSITY FIBERBOARD.
2. END. MEDIUM DENSITY FIBERBOARD
3. RAIL. RECTANGULAR ALUMINUM TUBE
4. ACCESS HOLE IN RAIL
5. THREADED INSERT
6. MACHINE SCREW



1 EXPLODED VIEW
Scale: 2" = 1'-0"

AYVIVYA
05202013